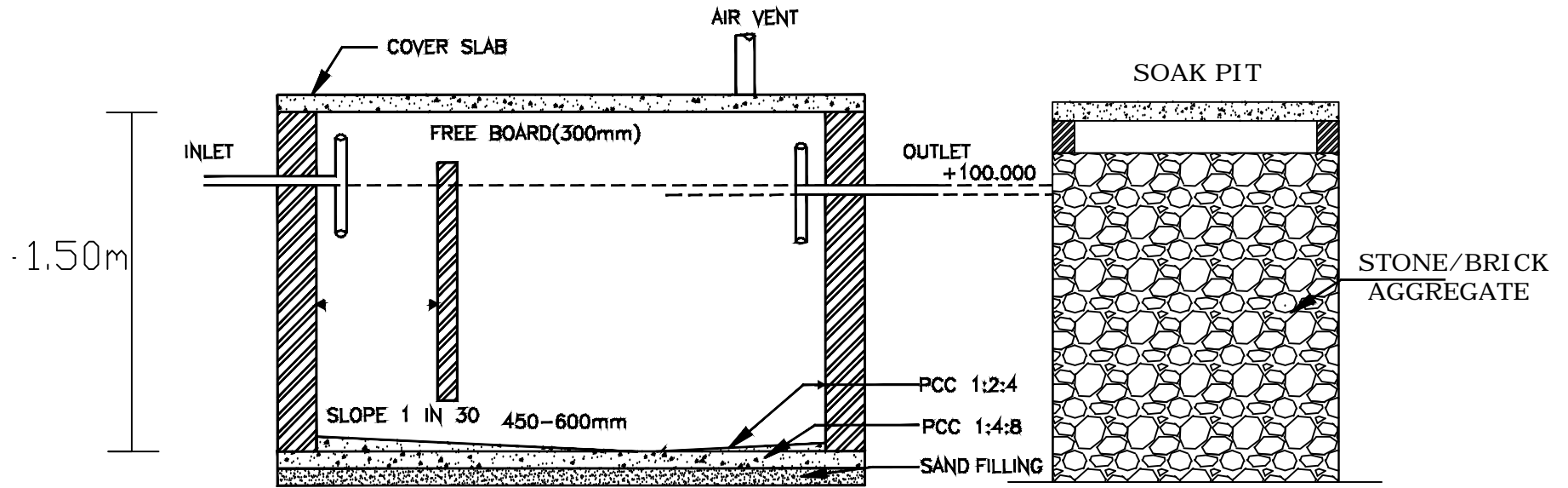
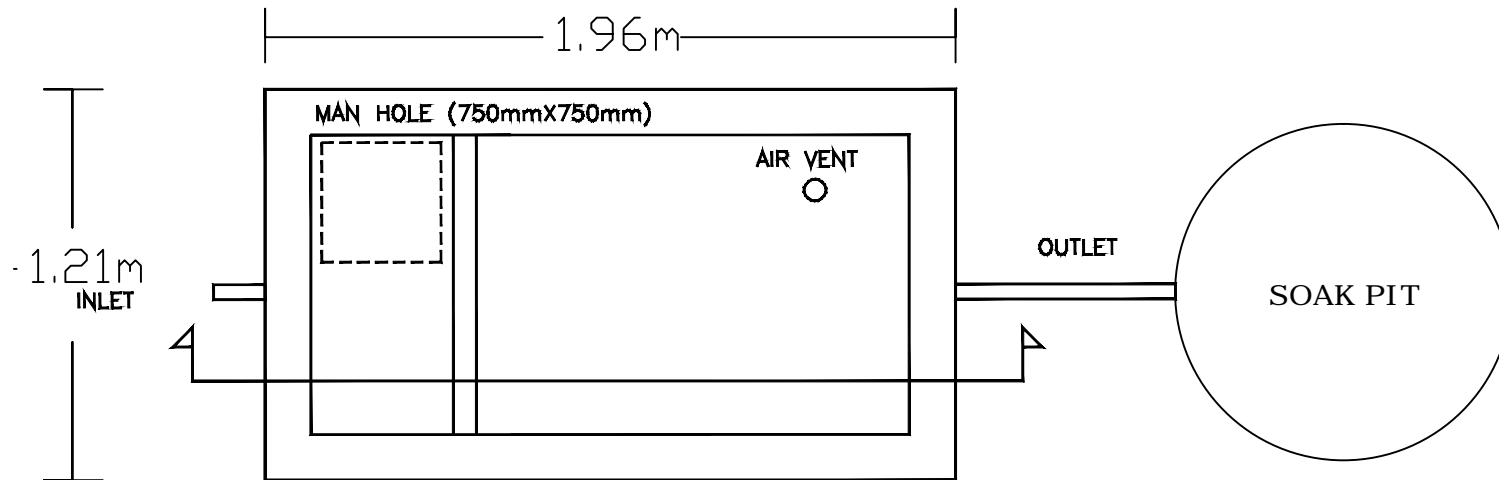


SEPTIC TANK



SECTION A-A



PLAN